

OPTICLUX Hand 10-1 DL

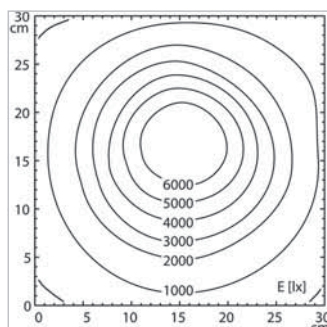
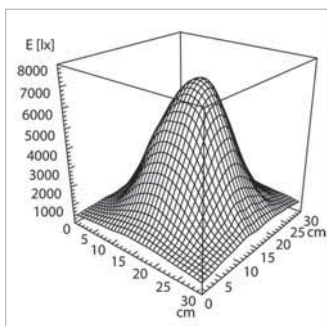
TECHNICAL DATA

FITTED WITH	1 x LED module
LUMINOUS POWER	8 000 lux / 0.15 m *
COLOR RENDERING INDEX	CRI > 95
COLOR TEMPERATURE	6500 K *
LENS DIMENSIONS	Ø 160 mm (6.3 in) *
MAGNIFICATION	3.5 diopters (1.9X)
LENS MATERIAL	PMMA
VOLTAGE	100 - 240 V; 50 / 60 Hz
CHARGING CABLE	USB-C, 1.5 m (5 ft.)
LUMINAIRE BODY	polycarbonate (PC) & acrylonitrile butadiene styrene copolymer (ABS)
WEIGHT (NET)	0.6 kg (1.3 lb)
POWER CONSUMPTION	7 W
USAGE	Touch panel on handle
CLASS OF PROTECTION	II
PROTECTION RATING	IP 20
STANDARDS MET	IEC 60601-1, IEC 60601-1-2
SPECIAL FEATURES	Ergonomic handle, scratch-resistant plastic lens, continuously dimmable, maintenance-free, rechargeable battery, protective cover
ORDER NUMBER	D16.004.000-807073 - pure white - Euro D16.066.000-807546 - pure white - USB

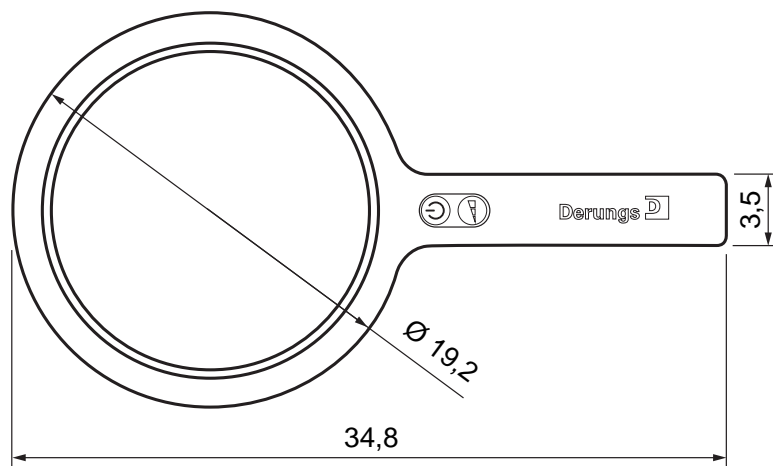
MAGNIFIER LUMINAIRE




LIGHT DISTRIBUTION



TECHNICAL DRAWING



measurements in centimeters

* -10% / +20% tolerance